



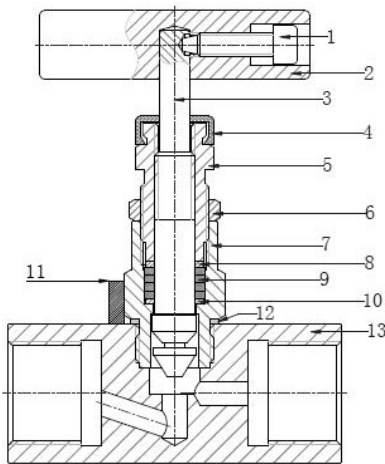
STAINLESS STEEL VALVES

GENEBRE PART: 2225N STAINLESS STEEL NEEDLE VALVE, NPT



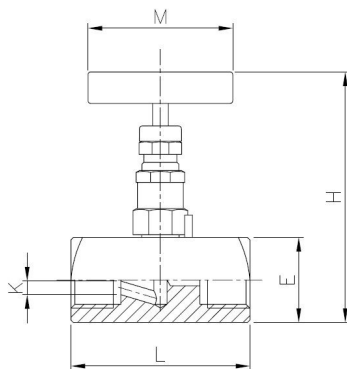
SPECIFICATIONS

1	Material ASTM A182 F316
2	Ends threaded ANSI B 2.1 NPT
3	Max working pressure 6000psi at +38°C
4	Working temperature -54°C to +232°C
5	Safety bonnet lock prevents accidental disassembly



MATERIALS

1	AISI 316
2	AISI 316
3	SS 316+ Stellite
4	Plastic
5	SS 316
6	AISI 316
7	AISI 316
8	SS 316
9	PTFE
10	SS 316
11	SS 316
12	Viton/ FKM
13	ASTM A182 F316



DIMENSIONS

AVOL REF	SIZE	H mm	L mm	K mm	Wt Kg
2225N 02	1/4"	90	61	4	0.37
2225N 03	3/8"	90	61	4	0.36
2225N 04	1/2"	92	68	5	0.44
2225N 05	3/4"	98	76	6	0.80
2225N 06	1"	108	85	8	1.12

Cv Values

1/4"	3/8"	1/2"	3/4"	1"
0.52	0.52	0.52	1.40	1.80